

# **NO DIG** *Equipment*

The Trenchless Technology Specialists



## **Vacuum Excavator VM2000 / VM3000**

Our VM2000 and VM3000 Vacuum Excavators feature the productive know-how that comes from over 20 years of supplying contractors and municipalities with durable, reliable trenchless technology equipment.

### POWER PACK ENCLOSURE

- Diesel Engine
- Powerful Roots Blower
- Fully Enclosed Blower Pack
- Protection from the Elements
- Quiet blower pack for working in urban areas



### FILTRATION WITH CLEANOUT

- Three Stage Filtration System
- With Cyclone Separation
- Washable 5 micron filter element
- Ease of service



### WATER SYSTEM

- Water pump uses electric clutch feature
- Pump pump can be disengaged when water is not in use, allowing full horsepower to the vacuum system.
- Reduces wear on water pump
- Set at 3500psi for safe working around existing services.



### TANK DUMP SYSTEM

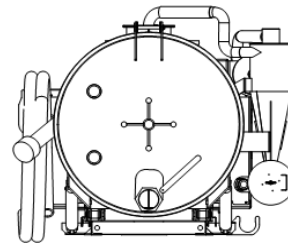
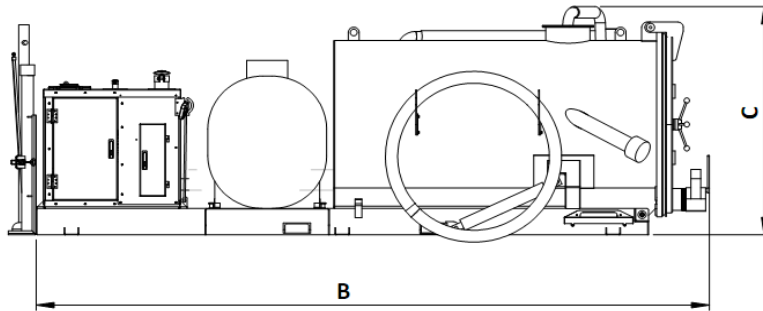
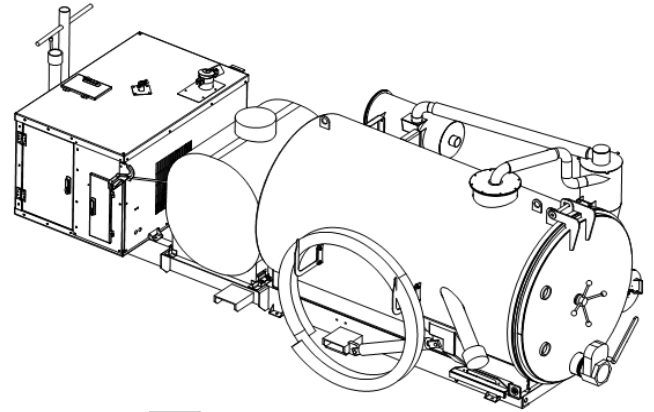
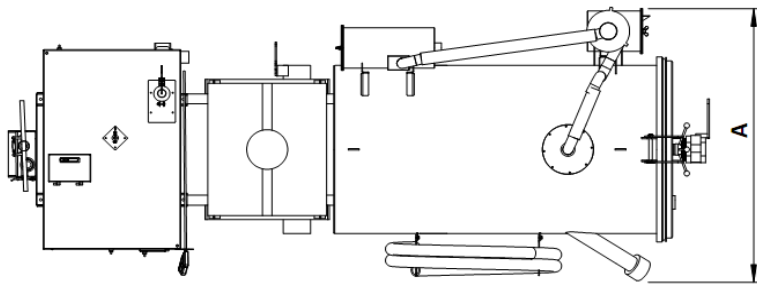
- Hydraulic cylinder tank lift
- Able to work on cylinders with tank down
- Remote tank lift control
- Ease of Operation
- Manual door lock



## What type of work can you do with a VM3000 Vacuum Excavator?

- Underground Service Locating
- Environmental cleanup. Everything from flooded basements to oil spoils.
- Install fence posts
- Live gas pipe maintenance
- Live sewer pipe maintenance
- Drilling fluid and mud cleanup.
- Construction site cleanup.
- ...and much more





### VM2000-VM3000 Dimensions

	A	B	C	Dry Weight ( Kg )
VM3000	2080mm	4930mm	1725mm	3100 Kg
VM2000	2080mm	4240mm	1725mm	2800 Kg

### VM2000 / 3000 Vacuum Excavator

Vacuum System	3" hose all round and 550 CFM blower
Diesel Engine	34.9 Hp Kohler KDW1404
Spoil Tank	2000L or 3000L Capacity with remote hydraulic tipping
High Pressure Water System	3500psi 15 Lpm
Water Tank	800L
Retractable Hose Reel	15 m

### Optional Extras

Manual Boom Option	With hydraulic up down movement
Double Jet Digging Wand	6.5 inch / 165 mm hole
Hose extension	10 m



# **NO DIG** *Equipment*

The Trenchless Technology Specialists



# **NO DIG** *Equipment*

The Trenchless Technology Specialists

**Address:** 15 Wildfire Rd, Maddington WA 6109

**Postal:** PO Box 2, Maddington WA 6989

**Ph :** 08 9493 0642

**Sales@NoDigEquipment.com**

**[www.NoDigEquipment.com.au](http://www.NoDigEquipment.com.au)**